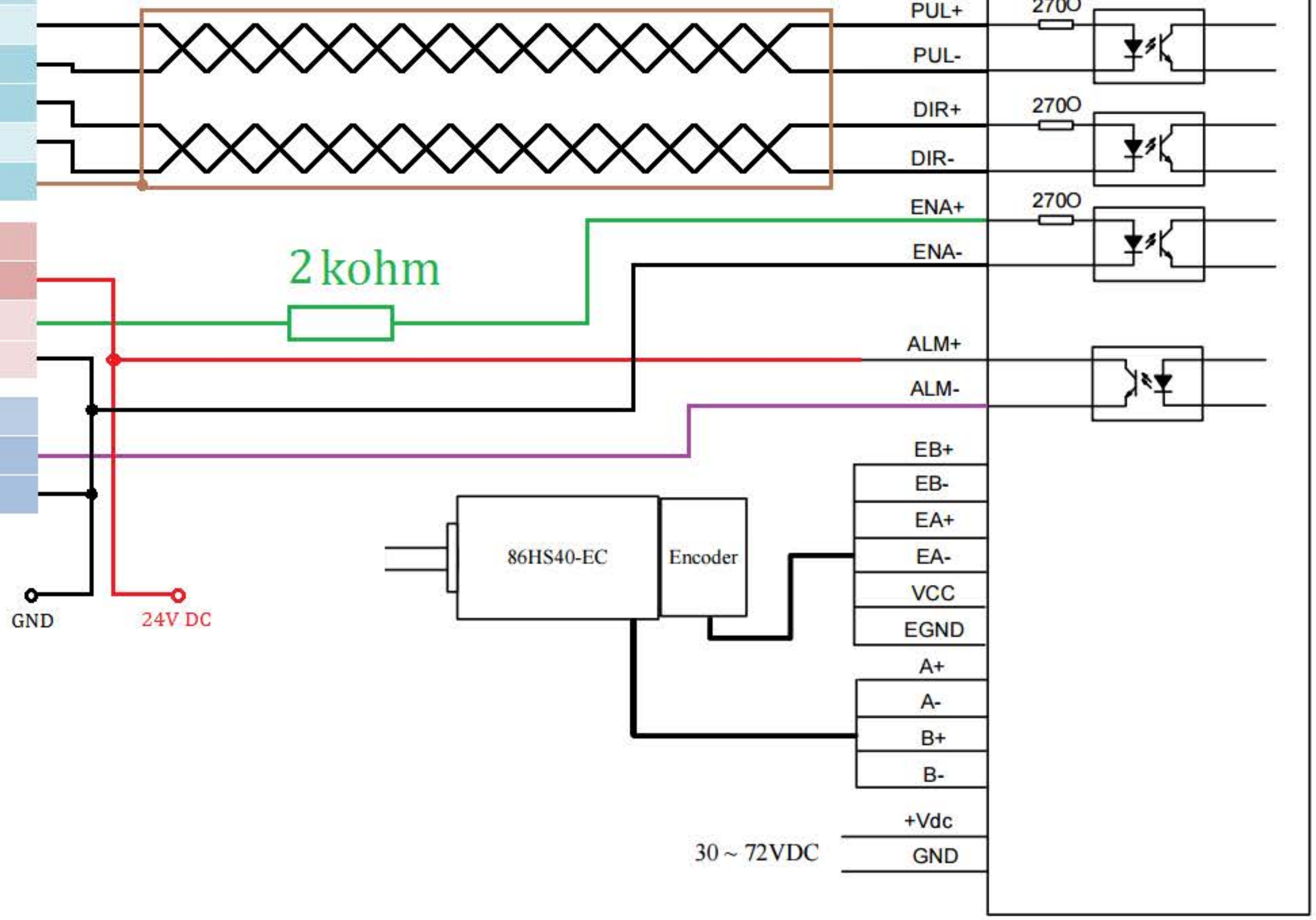


R=0 if VCC=5V;  
 R=1K(Power>0.125W) if VCC=12V;  
 R=2K(Power>0.125W) if VCC=24V;  
 R must be connected to control signal terminal.

PIN number	Details
2	STEP[0]+
15	STEP[0]-
1	DIR[0]+
14	DIR[0]-
13	GND

PIN number	Details
1	24V power supply for 0-3 outputs
2	Output 0
14	Power supply 0V for 0-3 outputs

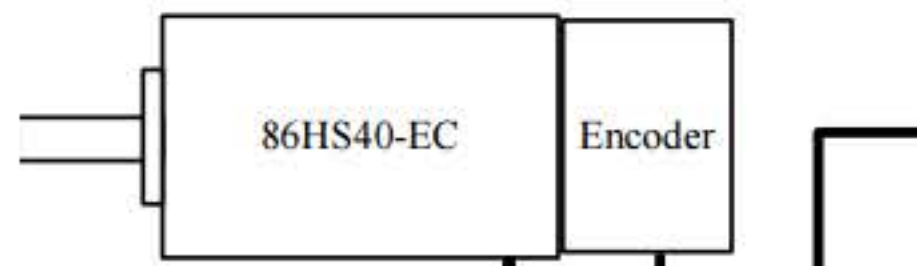
PIN number	Details
1	Input 0 (+)
5	Inputs 0-7 (-)



### HBS86 Drive

Terminal connections:

- PUL+ (2700Ω)
- PUL-
- DIR+ (2700Ω)
- DIR-
- ENA+ (2700Ω)
- ENA-
- ALM+
- ALM-
- EB+
- EB-
- EA+
- EA-
- VCC
- EGND
- A+
- A-
- B+
- B-
- +Vdc
- GND



2 kohm

30 ~ 72VDC