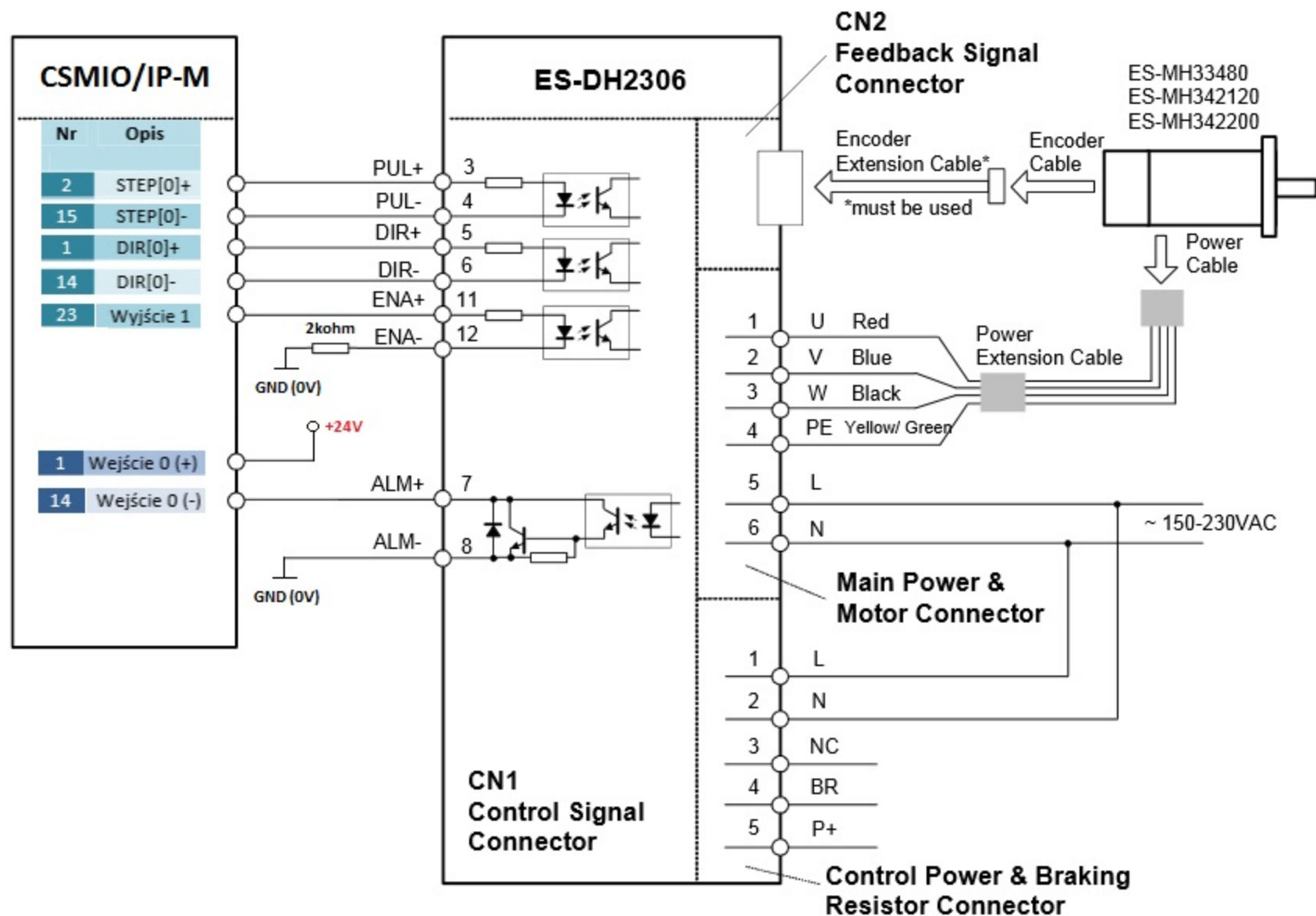


Typical Connections



Connections to controller of differential output