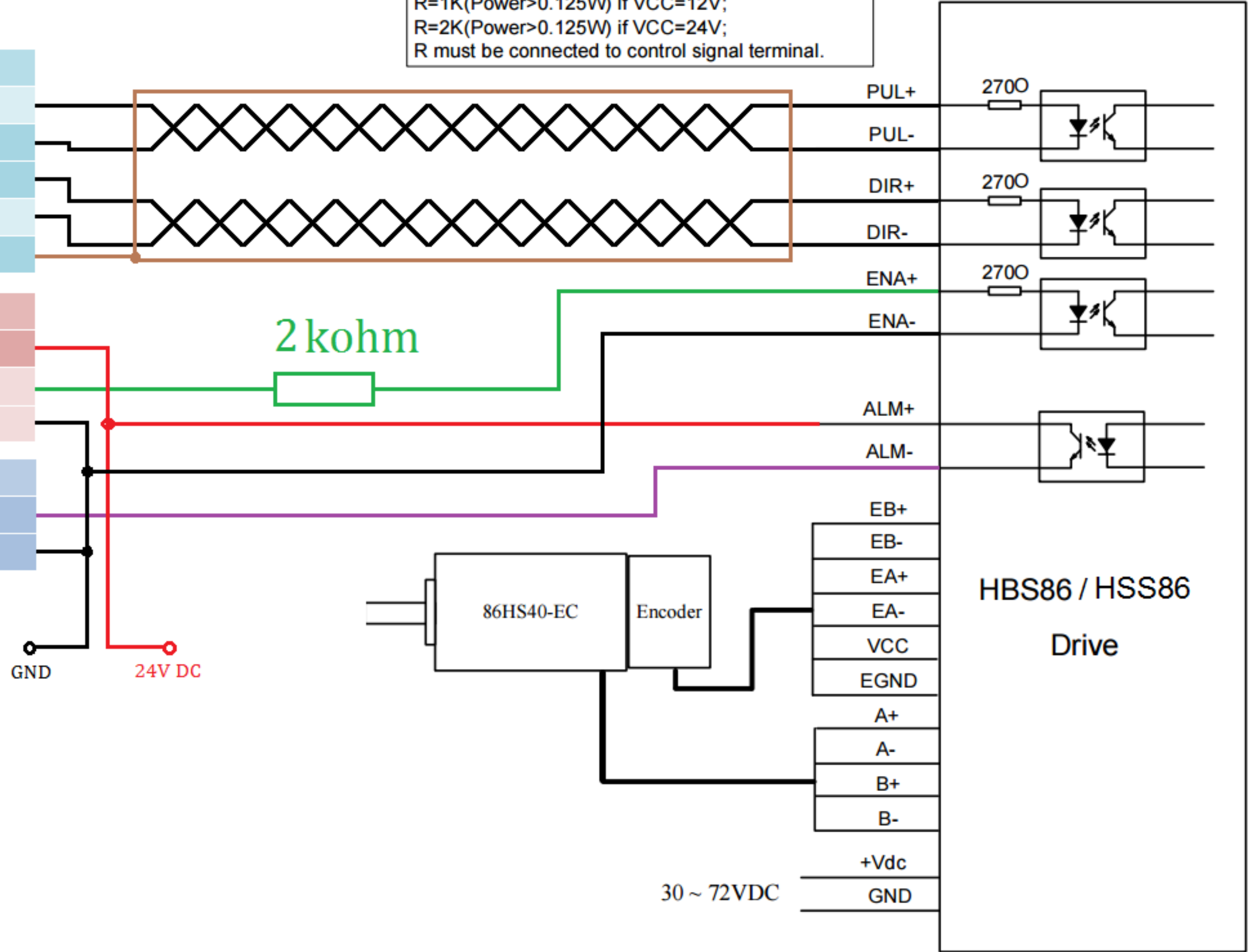


R=0 if VCC=5V;
 R=1K(Power>0.125W) if VCC=12V;
 R=2K(Power>0.125W) if VCC=24V;
 R must be connected to control signal terminal.

| PIN number | Details |
|------------|----------|
| 2 | STEP[0]+ |
| 15 | STEP[0]- |
| 1 | DIR[0]+ |
| 14 | DIR[0]- |
| 13 | GND |

| PIN number | Details |
|------------|----------------------------------|
| 1 | 24V power supply for 0-3 outputs |
| 2 | Output 0 |
| 14 | Power supply 0V for 0-3 outputs |

| PIN number | Details |
|------------|----------------|
| 1 | Input 0 (+) |
| 5 | Inputs 0-7 (-) |



HBS86 / HSS86
 Drive

30 ~ 72VDC