

CSMIO/IP-M

STEP/DIR controlling signals and digital outputs connector

PIN number	Description
2	STEP[0]+
15	STEP[0]-
1	DIR[0]+
14	DIR[0]-

4	STEP[1]+
17	STEP[1]-
3	DIR[1]+
16	DIR[1]-

6	STEP[2]+
19	STEP[2]-
5	DIR[2]+
18	DIR[2]-

9	24V power supply for 0..3 outputs
22	0V power supply for 0..3 outputs
10	Output 0

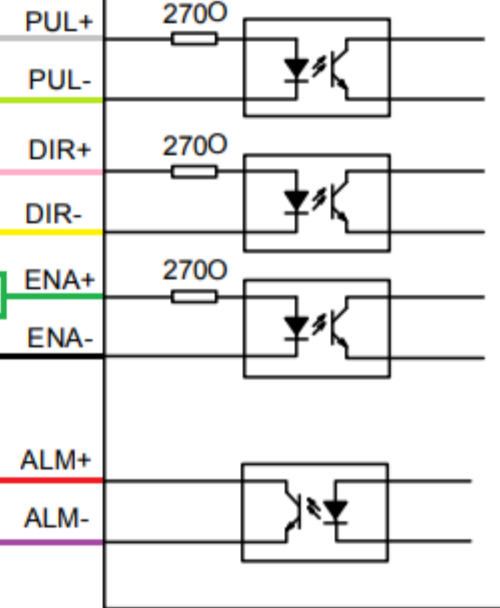
Digital inputs connector

PIN number	Description
2	1 (+) Input
15	1 (-) Input

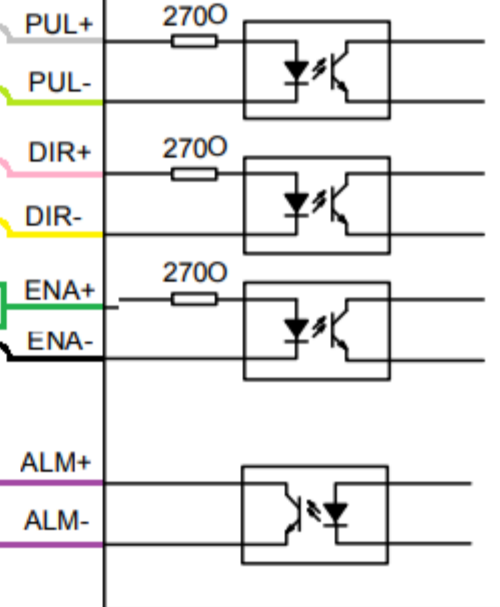
Power connector

PIN number	Description
1	Power - 24V DC
2	GND
3	Ground

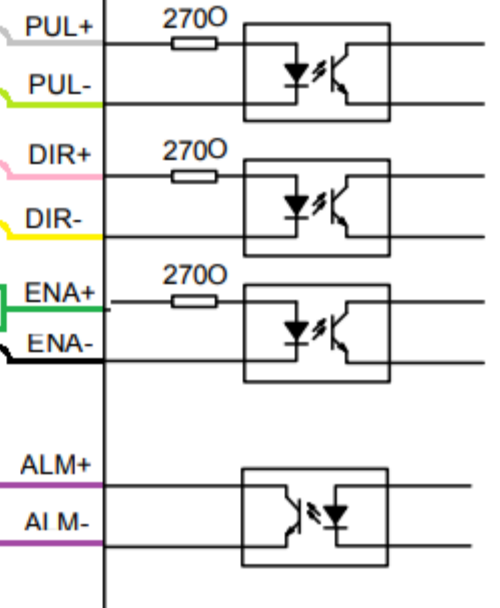
HBS86 / HSS86



HBS86 / HSS86



HBS86 / HSS86



Power Supply



PE

