

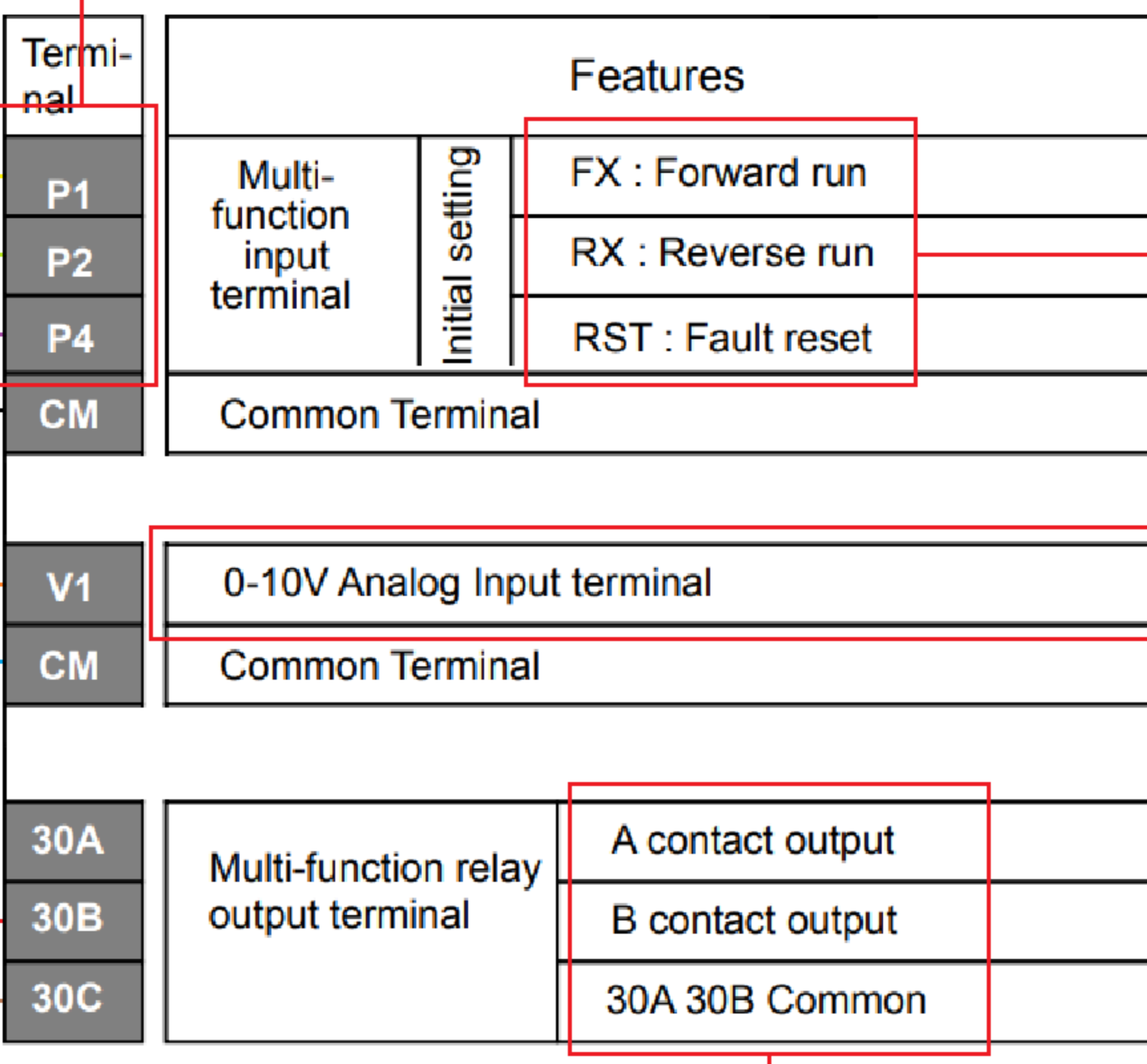
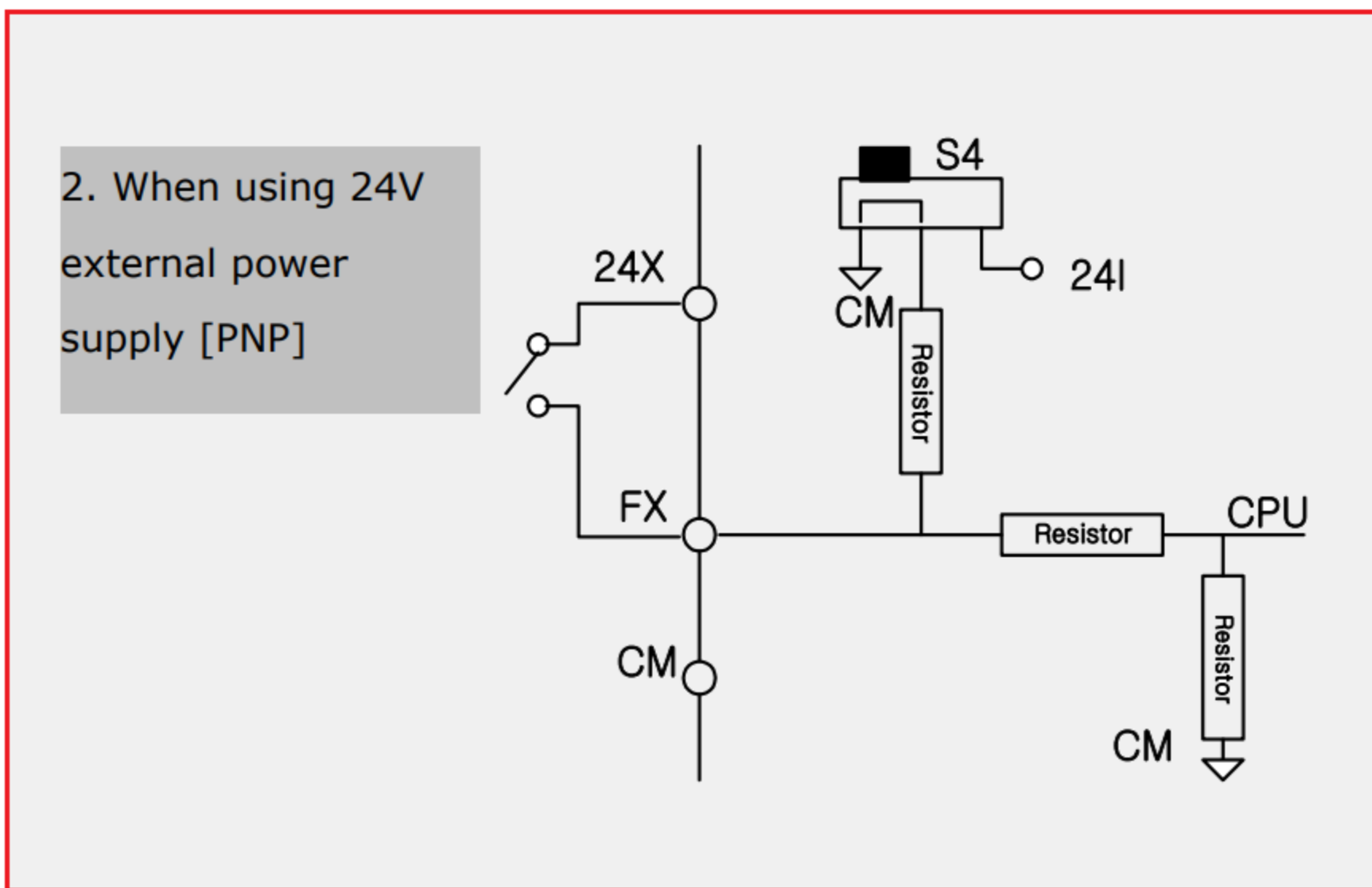
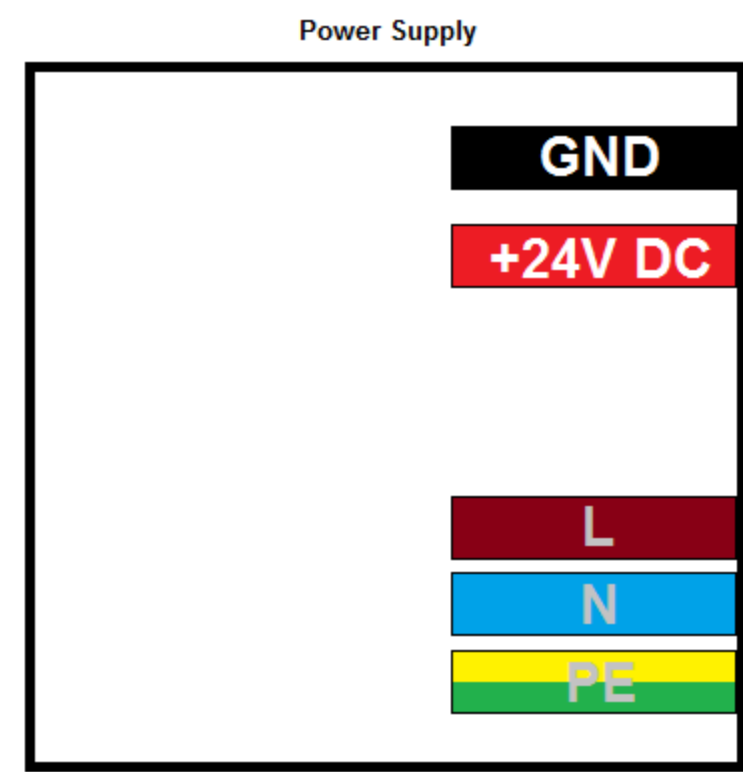
CSMIO/IP-M

PIN number	Description
1	0 (+) Input
2	1 (+) Input
3	2 (+) Input
4	3 (+) Input
5	4 (+) Input
6	5 (+) Input
7	6 (+) Input
8	7 (+) Input
9	8 (+) Input
10	9 (+) Input
11	10 (+) Input
12	11 (+) Input
13	GND
14	0 (-) Input
15	1 (-) Input
16	2 (-) Input
17	3 (-) Input
18	4 (-) Input
19	5 (-) Input
20	6 (-) Input
21	7 (-) Input
22	8 (-) Input
23	9 (-) Input
24	10 (-) Input
25	11 (-) Input

PIN number	Description
1	DIR[0]+
2	STEP[0]+
3	DIR[1]+
4	STEP[1]+
5	DIR[2]+
6	STEP[2]+
7	DIR[3]+
8	STEP[3]+
9	24V power supply for 0.3 outputs
10	Output 0
11	Output 2
12	Output 4 (NO1 relays)
13	Output 5 (NO2 relays)
14	DIR[0]-
15	STEP[0]-
16	DIR[1]-
17	STEP[1]-
18	DIR[2]-
19	STEP[2]-
20	DIR[3]-
21	STEP[3]-
22	0V power supply for 0.3 outputs
23	Output 1
24	Output 3
25	Common PIN for relay outputs 4 and 5

PIN number	Description
1	Analog output 0
2	GND
3	Analog input 1
4	10V (max. 50mA)
5	Analog output 1
6	Analog input 0
7	Analog input 0
8	GND
9	-

PIN number	Description
1	Power - 24V DC
2	GND
3	Ground



Terminal	Function	Bit	Description
I20	[Multi-function input terminal P1 define]	0	Forward run command (FX)
I21	[Multi-function input terminal P2 define]	1	Reverse run command (RX)
I23	[Multi-function input terminal P4 define]	3	Reset when a fault occurs (RST).

Terminal	Parameter	Value	Description
I 7	[V1 input Min voltage]	0/10 [V]	Set the minimum voltage of the V1 input.
I 8	[Frequency corresponding to I 7]	0/400 [Hz]	Set the inverter output minimum frequency at minimum voltage of the V1 input.
I 9	[V1 input max voltage]	0/10 [V]	Set the maximum voltage of the V1 input.
I 10	[Frequency corresponding to I 9]	0/400 [Hz]	Set the inverter output maximum frequency at maximum voltage of the V1 input.

Terminal	Function	Bit	Description
I55	[Multi-function relay select]	17	Fault relay output
I56	[Fault relay output]	0/7	When setting H26- (Number of auto restart try)
		Bit 2	When the trip other than low voltage trip occurs
		Bit 1	When the low voltage trip occurs
		Bit 0	When the low voltage trip occurs
		0	-
		1	-
		2	✓
		3	-
		4	✓
		5	✓
		6	✓
		7	✓