

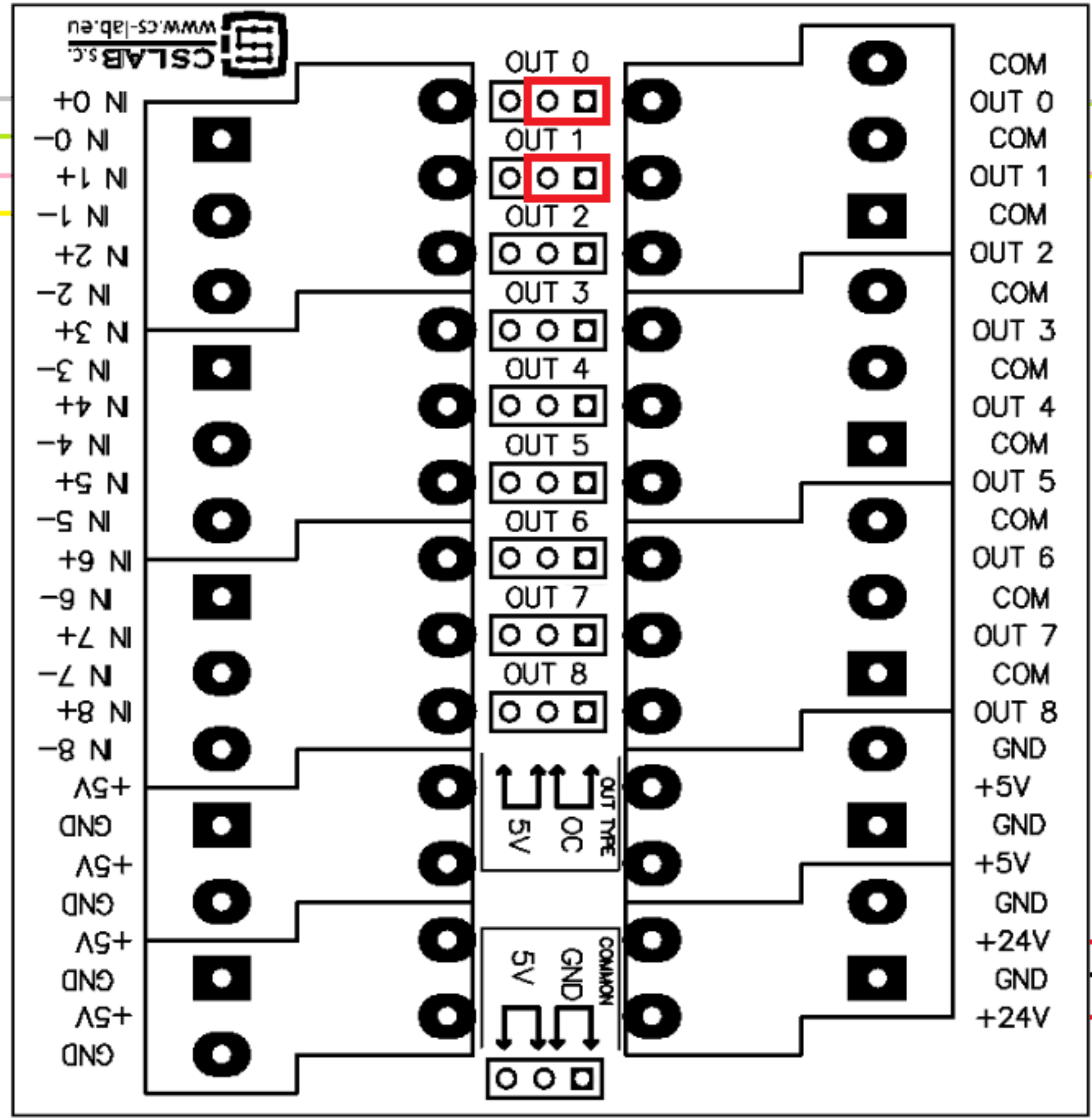
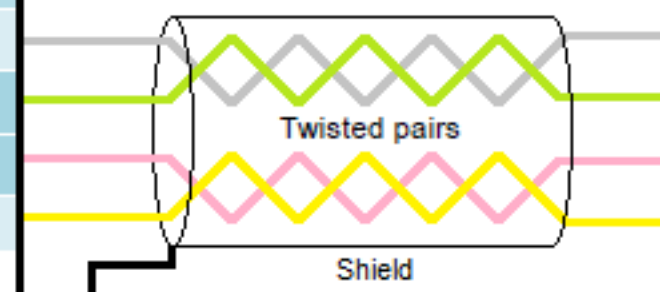
CSMIO/IP-M

STEP/DIR OUTPUTS

PIN number	Details
2	STEP[0]+
15	STEP[0]-
1	DIR[0]+
14	DIR[0]-

Power supply input

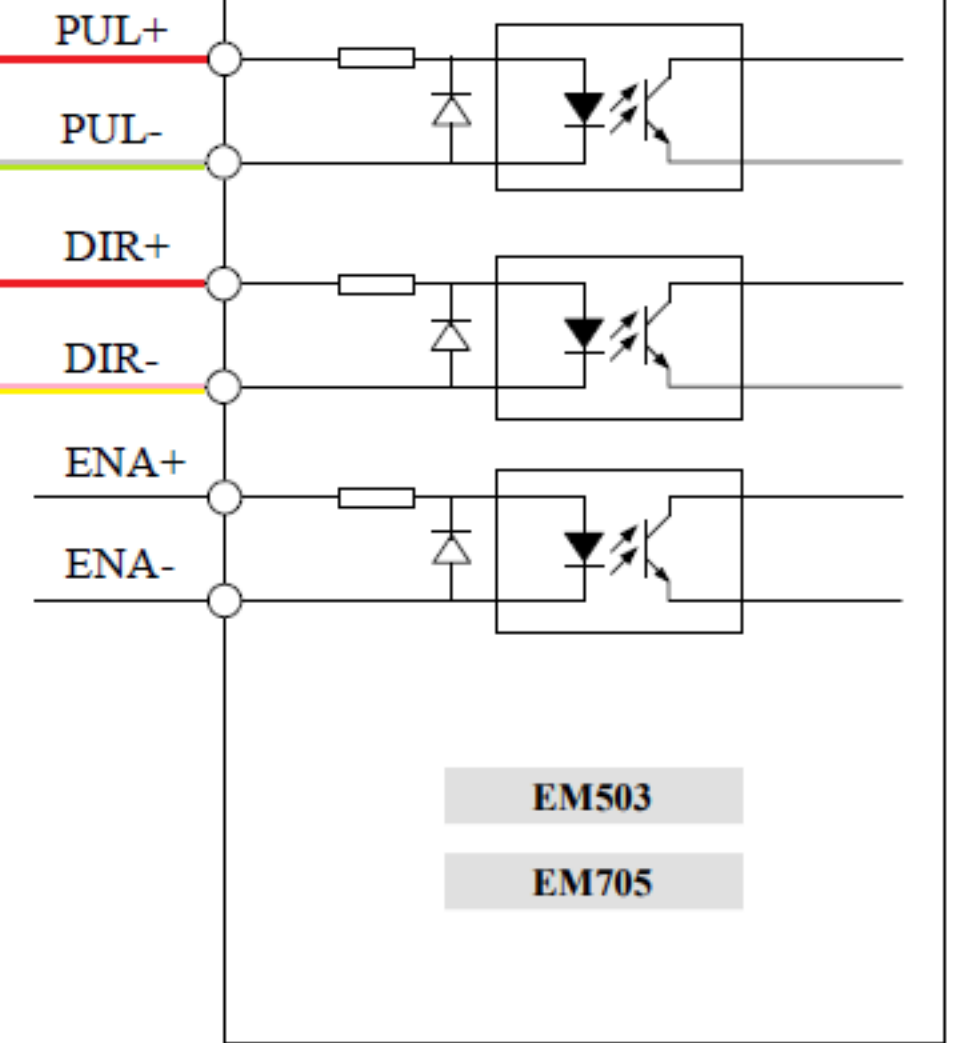
Pin number	Description
1	Power - 24V DC
2	GND
3	ground



Open Collector
Open Collector

+24V DC

Leadshine



EM503

EM705

Power Supply

